



# BollPaq NL2002

## Die-Cast Aluminium Housing



### GENERAL INFORMATION

|                        |  |
|------------------------|--|
| Mounting Module        | Post top entry (Center)<br>Post top entry (Asymmetrical)   |
| Operating Temperature  | -40°C / +55°C  |
| Storage Temperature    | -40°C / +80°C  |
| Glass Mounting Options | Capsule mounting system  |
| LED Modules            | Removable / Replaceable optical unit   |
| Lens Options           | Project-specific lens selection  |
| Main Reference         | EN 60598-1, EN 60598-2-3, EN 62471, EN 60068-2-11, EN60068-2-52, ISO9227, ASTM B117, ASTM D3359-78, ISO 4628-2, ISO 4628-4, EN 60529, EN 62262, ANSIC136.10-2017, ANSIC136.2-2018, EN 62031, IEC 62384, ASTM D3359, EN ISO 2409, IES LM 80-15, IES LM 82-12, IES LM 84-14, IES LM 85-14, IES TM 21-11, CE, RoHS, ISO9001, ISO14001, ISO18001, ISO5001, ISO45001, ISO39001, EAC, TURKAK |
| Company Standards      |  |

### HOUSING AND MATERIALS

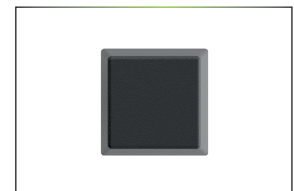
|                           |  |
|---------------------------|--|
| Housing                   | Non corrosive high pressure die-cast aluminium                       |
| Optic                     | PMMA or PC   |
| Gasket                    | Silicon or polyurethane without junction points.                     |
| Housing Finish            | UNI EN1706 powder painted  |
| Refractor                 | Tempered glass min. 4mm high transparency<br>UV resistant (optional) |
| Cable Gland               | IP66 ,Plastic PG9,<br>IP67 (optional), IP68 (optional)               |
| Standard Colour           | RAL7021 Metallic   |
| Tightness Level           | IP66, IP67 (optional), IP68 (optional)                               |
| Impact Housing Resistance | IK10 (20 J)  |
| Impact Glass Resistance   | IK08 (5 J), IK09 (optional) (10 J),<br>IK10 (optional) (20 J)        |
| Vibration Test            | Compliant with modified IEC 68-2-6 (0.5G),<br>ANSI C136.31 (3G-5G)   |

### ELECTRICAL INFORMATION

|                                     |   |
|-------------------------------------|---|
| Electrical Class                    | Class I, Class II (optional)  |
| Nominal Voltage                     | 220-240V 50 / 60 Hz EU<br>110-277V 50 / 60 Hz (optional) NORTH AMERICA  |
| Led Current                         | 500mA, 600mA, 700 mA  |
| Power Factor                        | ≥0.9 (at full load)   |
| Driver                              | Constant current, thermal protected,<br>voltage regulated, harmonic filter protection   |
| Control system                      | On-off (standard), Bluetooth, DALI, 1-10V DIM,<br>stand alone automation  |
| Mains connection                    | For cable max section 2,5 mm2<br>Outgoing cable H05RN-F 2/3/5 x 1,5 mm2<br>Length on request.(optional)                                 |
| Electromagnetic compatibility (EMC) | IEC 61000, EN 55015, IEC 61000-3-2, IEC 61000-4-5, IEC 61547, IEC 61000-3-3, IEC 61000-4-2, IEC 61000-2-2, IEC 61000-4-11, IEC 61643-11 |

### OPTICAL INFORMATION

|                              |  |
|------------------------------|--|
| Led colour temperature       | 2700K (warm white), 3000K (warm white),<br>4000K (neutral white) (standard), 5000K (cool white), 5700K (cool white), 6500K (cool white), Other (amber, blue, green, red) |
| Colour rendering index (CRI) | CRI ≥70, CRI ≥80 (optional), CRI ≥90 (optional)  |
| Upward light output ratio    | 0%   |
| Photobiological safety class | IEC 62471  |
| Testing standard             | LM 79-19, EN 13032-1 (all measurements in<br>ISO17025 accredited laboratory)   |
| Lifetime of the LED's        | Tq= 25 °, 65mA >232.000h - L70<br>Tq= 55 °, 65mA >102.000h - L70   |



[www.noral.de](http://www.noral.de)  
[noral@noral.de](http://noral@noral.de)

+49 4025 467 12 32

# BollPaq NL2002

## Die-Cast Aluminium Housing



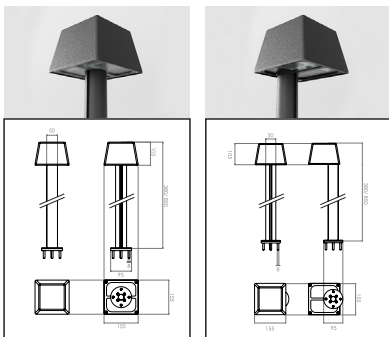
### BollPaq CL2002 Center

| Number of Power LED's / Rating / Current | Luminaire Output Flux (lm) |      | W (mm) | L (mm) | h (mm)    | Item / Box | Average Weight (kg) | Order Code            | System Lumen / W (lm) |      |
|--|----------------------------|------|--------|--------|-----------|------------|---------------------|-----------------------|-----------------------|------|
|  | max.                       | min. |        |        |           |            |                     |                       | max.                  | min. |
| 4 / 5W - 500mA                           | 825                        | 625  | 155    | 155    | 380 / 850 | 1          | 2.30                | N2002BC-LED0005NW-ECG | 165                   | 125  |
| 4 / 8W - 600mA                           | 1320                       | 1000 | 155    | 155    | 380 / 850 | 1          | 2.30                | N2002BC-LED0008NW-ECG | 165                   | 125  |
| 4 / 10W - 700mA                          | 1650                       | 1250 | 155    | 155    | 380 / 850 | 1          | 2.30                | N2002BC-LED0010NW-ECG | 165                   | 125  |

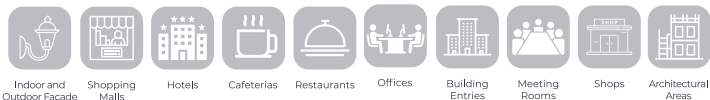
### BollPaq CL2002 Asymmetrical

| Number of Power LED's / Rating / Current | Luminaire Output Flux (lm) |      | W (mm) | L (mm) | h (mm)    | Item / Box | Average Weight (kg) | Order Code            | System Lumen / W (lm) |      |
|--|----------------------------|------|--------|--------|-----------|------------|---------------------|-----------------------|-----------------------|------|
|  | max.                       | min. |        |        |           |            |                     |                       | max.                  | min. |
| 4 / 5W - 500mA                           | 825                        | 625  | 155    | 155    | 380 / 850 | 1          | 2.30                | N2002BA-LED0005NW-ECG | 165                   | 125  |
| 4 / 8W - 600mA                           | 1320                       | 1000 | 155    | 155    | 380 / 850 | 1          | 2.30                | N2002BA-LED0008NW-ECG | 165                   | 125  |
| 4 / 10W - 700mA                          | 1650                       | 1250 | 155    | 155    | 380 / 850 | 1          | 2.30                | N2002BA-LED0010NW-ECG | 165                   | 125  |

Depending on the luminaire configuration. For more details, please contact us. Tolerance on LED flux is +/-7% and on total luminaire power +/- 5%.



### Main Applications



[www.noral.de](http://www.noral.de)  
[noral@noral.de](mailto:noral@noral.de)

+49 4025 467 12 32

Noral GmbH reserve the right to modify design and/or production characteristics of their products, photographs and data used in this catalogue are for illustrative purposes are not binding on the company.

The copying or reproduction, in part or in full, of any descriptions, technical data drawings or photographs shown in this catalogue is expressly forbidden.

